



SEA s.r.l.

[www.seaprogetti.org](http://www.seaprogetti.org)

Registered Office: Via del Sansovino n° 5 - 50142 - Firenze (FI)

Head Office and Workshop: Via Guicciardini n° 4A - 51100 – Pistoia (PT)

Engineering Office: Via per Curnasco n° 54 – 24127 – Bergamo (BG)



*Azienda con sistema di gestione per la  
Qualità certificato UNI EN ISO  
9001:2015 / certificato N° 50 100 16952*

# SEA s.r.l. COMPANY PROFILE

## KEY FACTORS

Established



2021



Pistoia (PT)



Dubai (UAE)

Offices

Bergamo (BG)



Technicians



15+

Production Capacity



40.000 Engineering hours/year

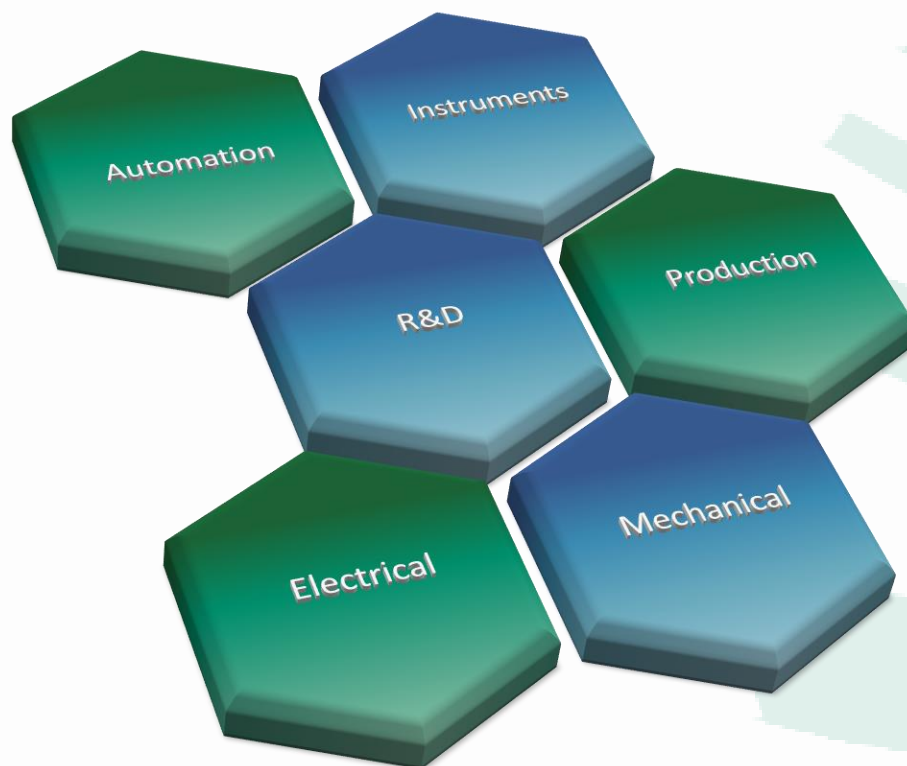
SEA s.r.l. was established in 2021 from the idea of three specialized engineers eager to apply their experience of over 10 years developed in the Oil&Gas field.

Since its birth, SEA s.r.l. has then extended its activities, working also in the complete design of plants and machines destined for the power generation, renewable, water treatment and chemical applications.

SEA s.r.l. can now rely on a staff of 15 professionals (90% of them Engineers or Physics) located in two main offices (Pistoia and Bergamo) and in the new Middle East Division in Dubai (UAE).

SEA s.r.l. customers are plant and machine manufactures or end users that need a support in the Engineering, Procurement or Construction phase.

## SERVICES AND PRODUCTS



# AUTOMATION

PLANT CONTROL SYSTEM DESIGN

CONTROL PANEL DETAILED ENGINEERING

SOFTWARE DEVELOPMENT

CONTROL PANEL MANUFACTURING



# INSTRUMENTATION ENGINEERING

PLANT & SKID INSTRUMENTATION DESIGN

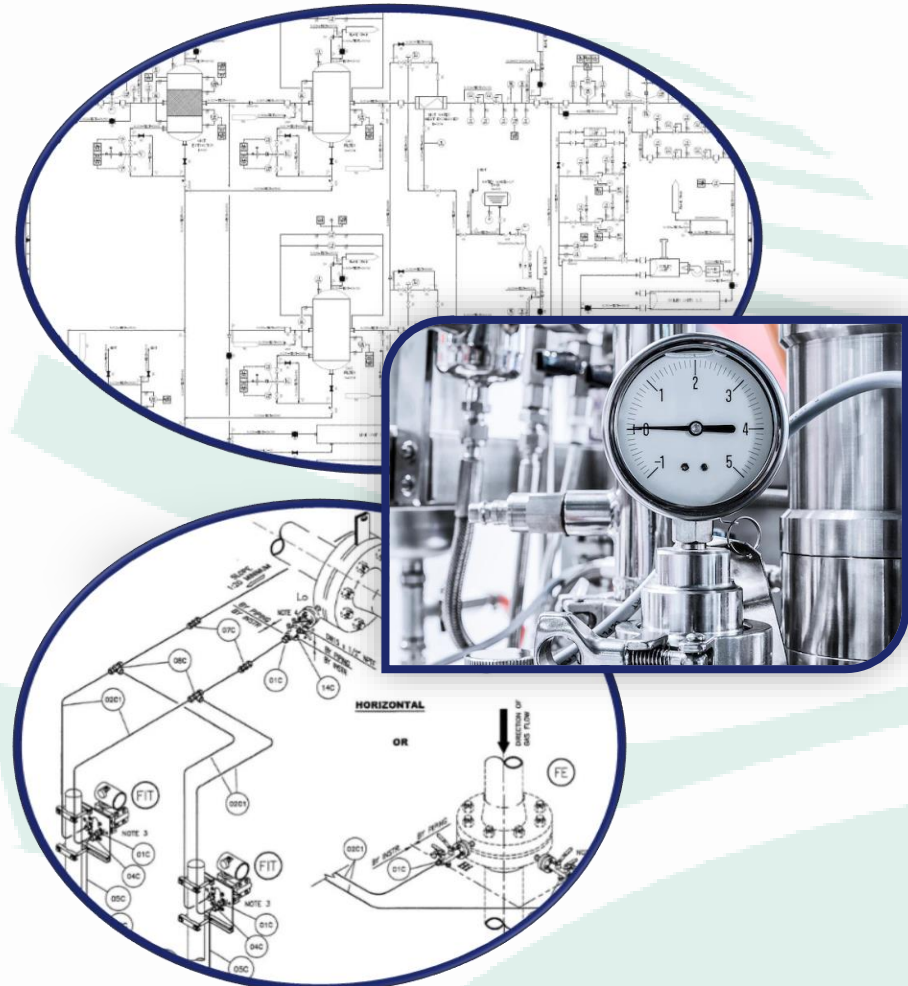
P&ID AND CUSTOMER SPECIFICATION ANALYSIS

PNEUMATIC AND ELECTRICAL HOOK UP

INSTRUMENT LAYOUT PLAN, CABLE ROUTING DESIGN

CONTROL, RELIEF AND SAFETY VALVES CALCULATION

INSTRUMENT LIST AND DATA SHEETS



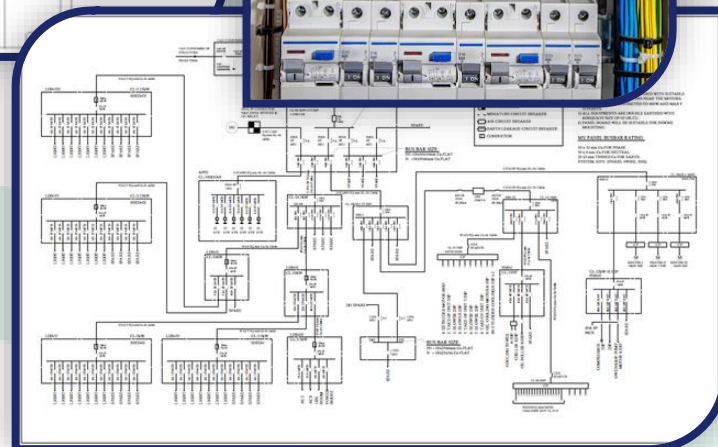
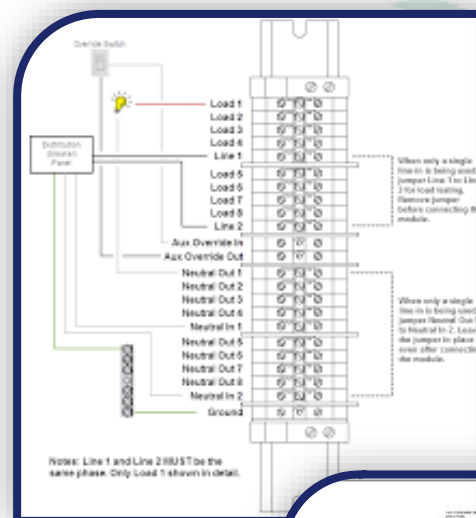
# ELECTRICAL ENGINEERING

ELECTRICAL PLANT DESIGN

DETAILED WIRING AND LAYOUT SCHEME

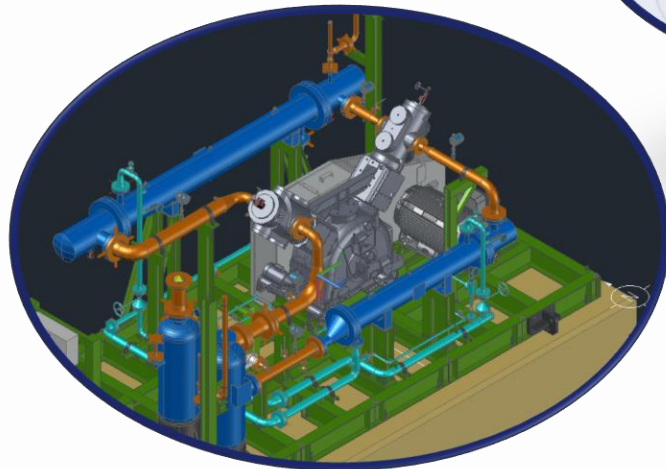
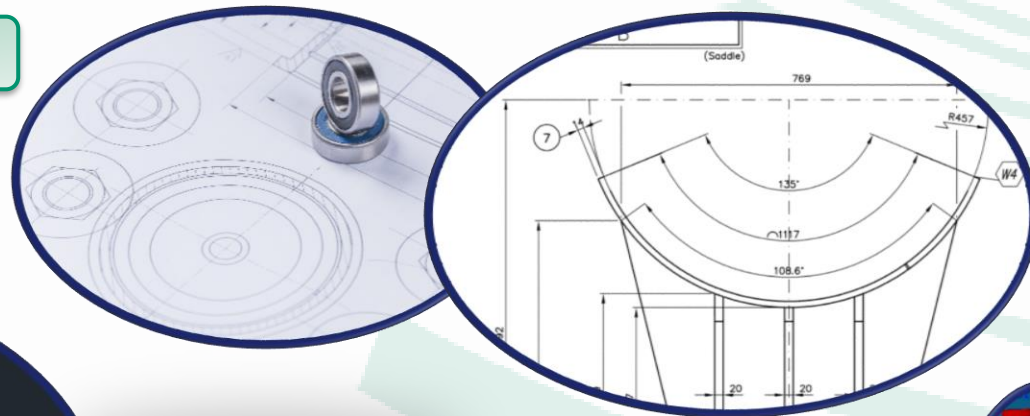
LOW VOLTAGE DISTRIBUTION

LOW VOLTAGE PANEL MANUFACTURING



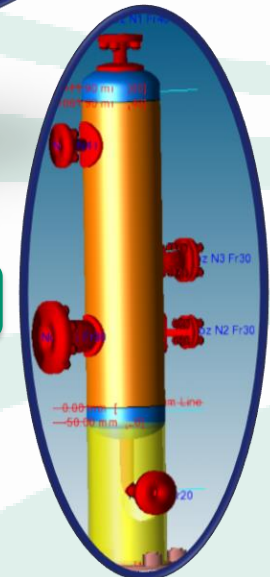
# MECHANICAL ENGINEERING

## 2D & 3D MECHANICAL DRAWINGS

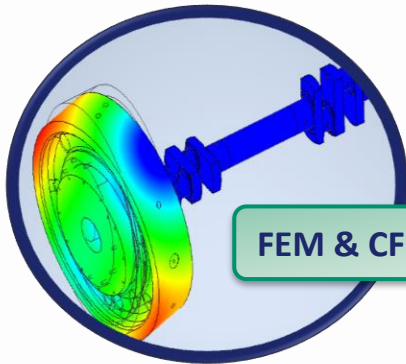


## PLANT PIPING DESIGN

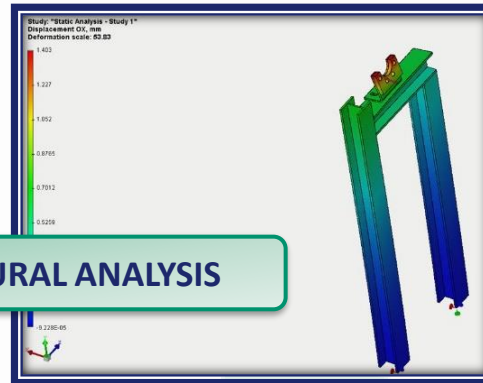
## PRESSURE VESSEL DESIGN



## R&D

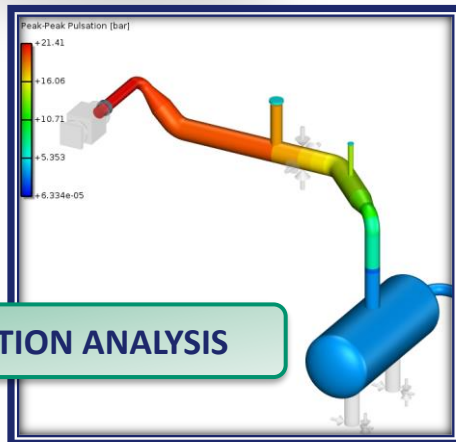
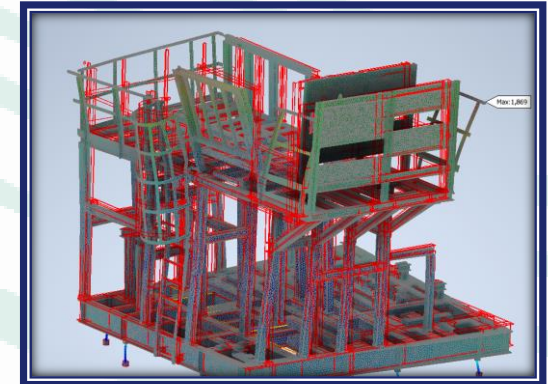


**FEM & CFD ANALYSIS**



**STEEL STRUCTURAL ANALYSIS**

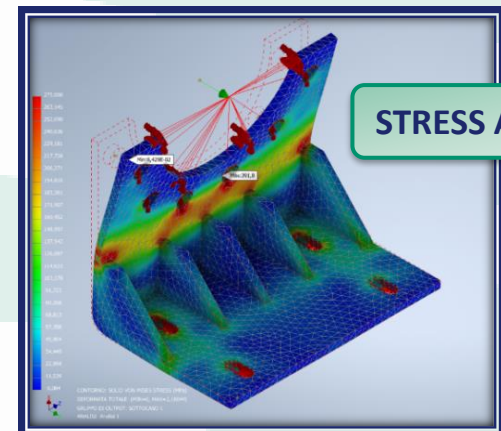
## **MACHINE VIBRATION ANALYSIS**



**PULSATION ANALYSIS**



**TORSIONAL ANALYSIS**



**STRESS ANALYSIS**

## WATER TREATMENT DIVISION

SWRO DESALINATION PLANTS

ULTRAFILTRATION SKIDS

BWRO DESALINATION PLANTS

MBR MEMBRANE BIOREACTOR SOLUTIONS

INDUSTRIAL WASTE WATER TREATMENT



Over 500m<sup>2</sup> workshop

## TOOLS





SEA s.r.l.

[www.seaprogetti.org](http://www.seaprogetti.org)

Registered Office: Via del Sansovino n° 5 - 50142 - Firenze (FI)

Head Office and Workshop: Via Guicciardini n° 4A - 51100 – Pistoia (PT)

Engineering Office: Via per Curnasco n° 54 – 24127 – Bergamo (BG)



*Azienda con sistema di gestione per la  
Qualità certificato UNI EN ISO  
9001:2015 / certificato N° 50 100 16952*

**THANKS FOR YOUR ATTENTION**